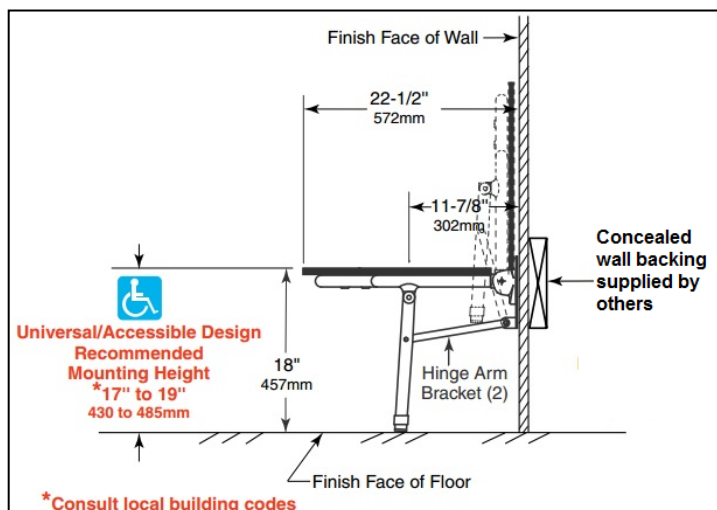
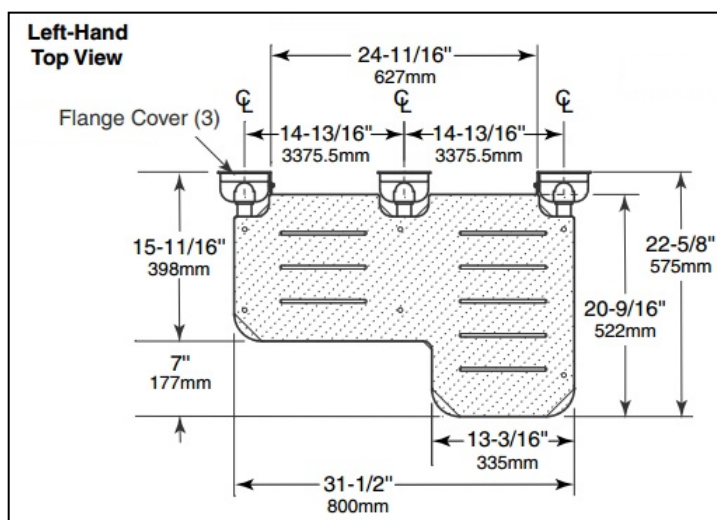
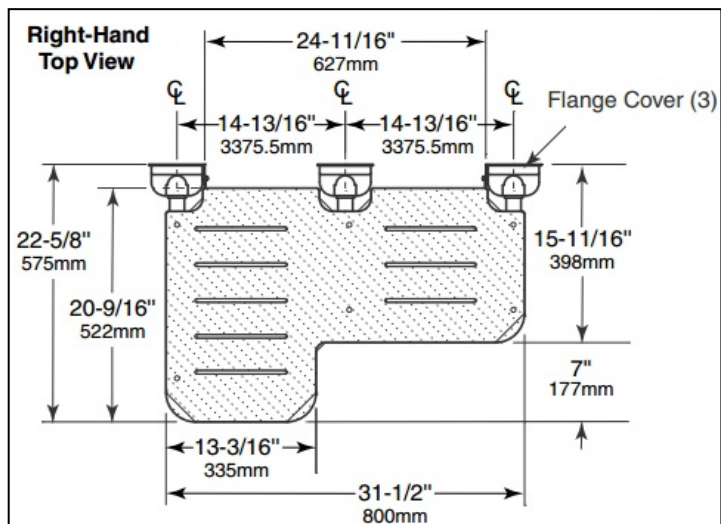


## Technical Specification



### Dimensions

Overall dimensions in plan 875 x 575 mm  
 Overall seat dimensions in plan 800 x 522/345 mm  
 Height in horizontal (down) position from floor to top of seat 457 mm

### Operation

The Bariatric folding shower seat can be folded up against the wall when not in use. The baseplate locks the seat into an upright position until released by pulling the top of seat away from the wall. The seat should move up and down with a small amount of user effort and should not move independently. When the seat is lowered to a horizontal sitting position, the seat should automatically level with the help of the stainless steel hinge bracket, which aligns the swing-down legs. The non-porous high-pressure laminate seat has slots to permit water to drain, does not splinter or require oiling and will not support growth of bacteria. When properly installed the Bariatric folding shower seat has sufficient strength to support 500 KG.

### Safety Warning

Shower seats are no stronger than the wall fixings and walls to which they are attached and must be firmly secured in order to support the loads for which they are intended. Consult and comply with local building regulations and standards. The unit will support static loads of up to 500 KG when properly installed and used. To avoid potential seat malfunction or potential injury, DO NOT use seat if weight exceeds 500 KG or if the shower seat is not adequately secured to the wall.

### Product Code Selection for Order or Quotation

#### 1. Base Product Code

7070 -Bariatric folding shower seat

#### 2. Options

- LH -left hand seat
- RH -right hand seat

